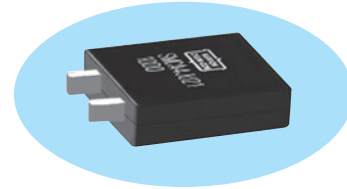
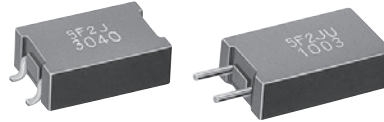


Old version.  
NRND



◆ MAJOR USES

- Choke coils for DC-DC converter
- Output choke coils for Switching Mode Power Supply

◆ FEATURES

- Minimum device thickness of 6.8 mm with high D.C. rated current
- Remarkably small of D.C. resistance in this type of device
- Use of Fe-base amorphous for excellent operation stability at high temperature
- Preparation of both SMD and SIP type

◆ GENERAL SPECIFICATION

Items	Rated value
Operating Temperature Range *1	-40 to 130°C
Storage Temperature Range	-40 to 130°C
Operating Humidity Range	20 to 95%RH
Storage Humidity Range	20 to 80%RH
Operating Frequency Range *2	20kHz to 500kHz
Increase in Temperature *3	45 K or less
Insulating Type	Type B (130°C)
Incombustibility *4	UL94V-0

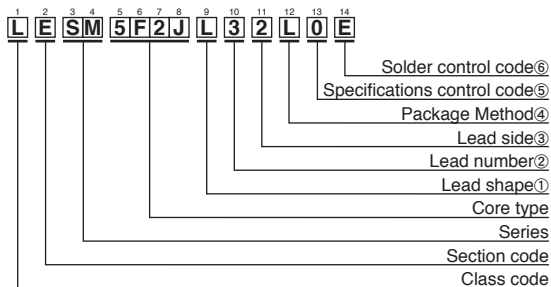
\*1 Temperature on the coil surface including the temperature rise in installation. Never use the coil at a temperature exceeding the rated temperature range.

\*2 Recommended range. When infra-acoustic frequency component is impressed, a beat sound sometimes occurs.

\*3 The temperature rise on the coil surface at the rated d.c. current.

\*4 Housing case material.

◆ PART NUMBER DESIGNATIONS



① Lead shape

Code	Lead shape
S	SMD type(Vertical)
L	SMD type(Horizontal)
U	SIP type(Vertical)
G	SIP type(Horizontal)

② Lead number

Code	Lead number
2	2
3	3
4	4

③ Lead side

Code	Lead side
1	One Side
2	Two Side

④ Package Method

Code	Contents
T	Taping
L	Standard tray
N	Others

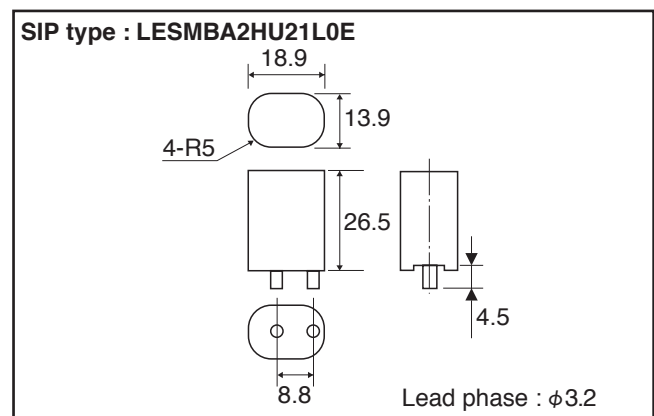
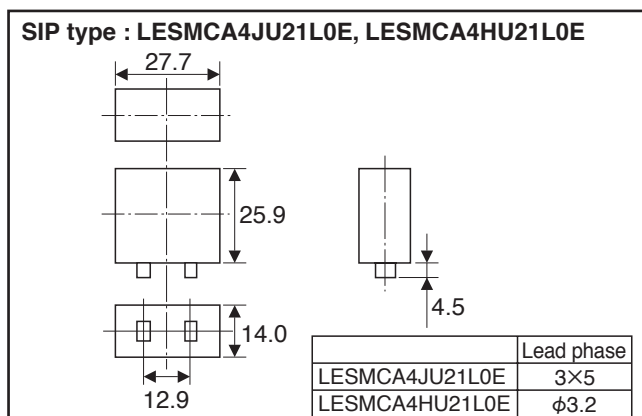
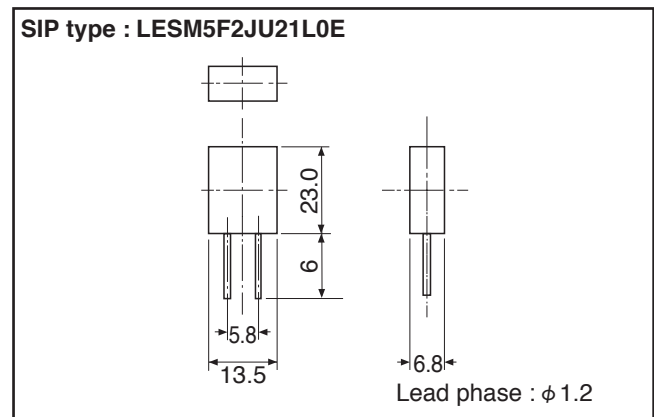
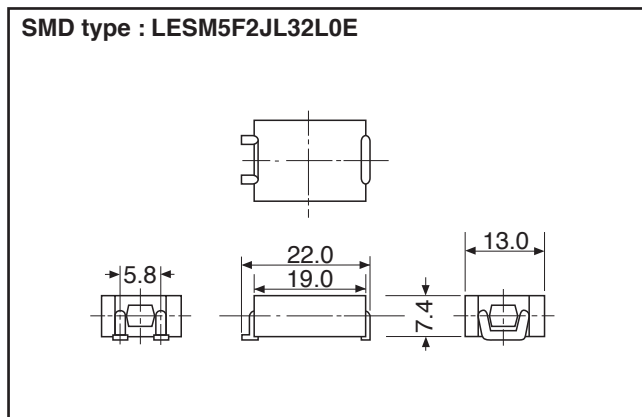
⑤ Specifications control code

Code	Specifications
0	Standard
1	Custom

⑥ Solder control code

Code	Specifications
0	Not Pb free
E	Pb free

◆ STANDARD DIMENSION DIAGRAM (mm)



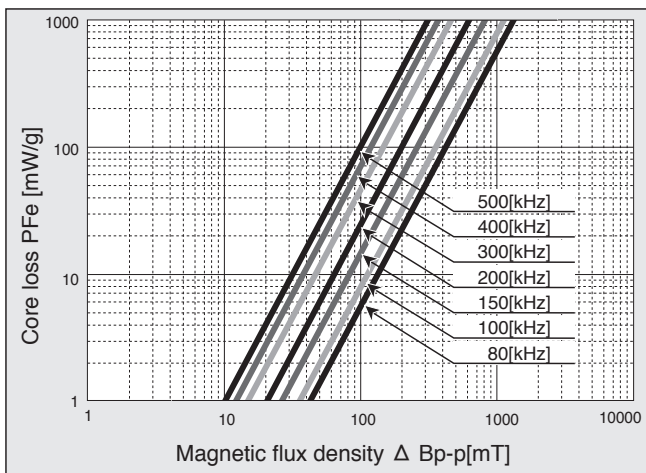
### ◆COIL STANDARD SPECIFICATIONS

Coil Part No. (Old Coil Part No.)	Rated Current A	Inductance <sup>*1</sup> (100kHz) <sup>*2</sup>		D.C.R. mΩ (max)	Mounting Direction	Outside Dimensions		
		0[A] μH	Rating μH			ℓ mm	w mm	h mm
LESM5F2JU21L0E (SM5F2JU21PBF)	10	4.8	2.6	1.0	Vertical	13.5	6.8	23.0
LESM5F2JL32L0E (SM5F2JL32PBF)	10	4.8	2.6	1.0	Horizontal	22.0	13.0	7.4
LESMCA4HU21L0E (SMCA4HU21ZPBF)	30	3.5	2.2	0.3	Vertical	27.7	14.0	25.9
LESMB2HU21L0E (SMB2HU21ZPBF)	35	1.2 <sup>*2</sup>	0.9 <sup>*2</sup>	0.3	Vertical	18.9	13.9	26.5
LESMCA4JU21L0E (SMCA4JU21PBF)	70	1.6 <sup>*2</sup>	0.9 <sup>*2</sup>	0.2	Vertical	27.7	14.0	25.9

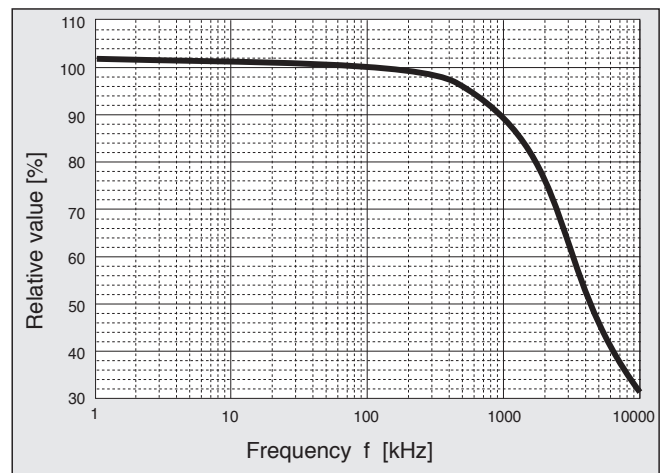
\*1 The inductance at current 0[A] indicates the reference value.

\*2 Inductance measurement condition : LESMCA4HU21L0E, LESMB2HU21L0E : 200kHz

### ◆CORE LOSS CHARACTERISTICS

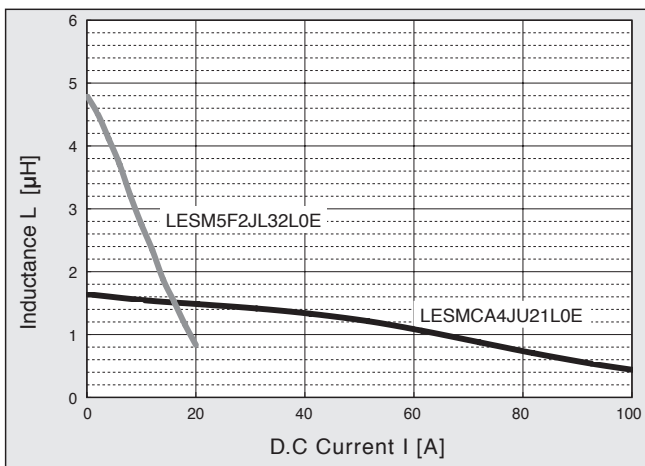


### ◆FREQUENCY - INDUCTANCE CHARACTERISTICS



### ◆D.C. BIAS CHARACTERISTICS (1)

●Frequency : 100[kHz]



### ◆D.C. BIAS CHARACTERISTICS (2)

●Frequency : 200[kHz]

