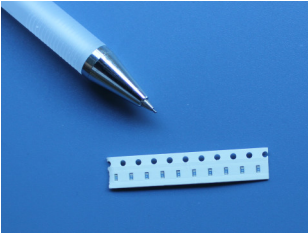
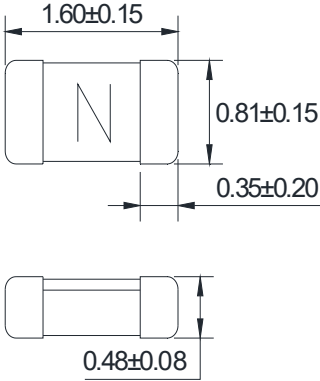


# 065 Chip Fuse



Dimensions (unit: mm)



## Main Characteristics

Chip fuse; Fast-Acting(F)

## Standard

UL248-14

## Materials

Substrate: Ceramic  
Termination: Silver over-plated with nickel and Tin

## Operating Temperature

-55°C to +150°C

## Storage Conditions

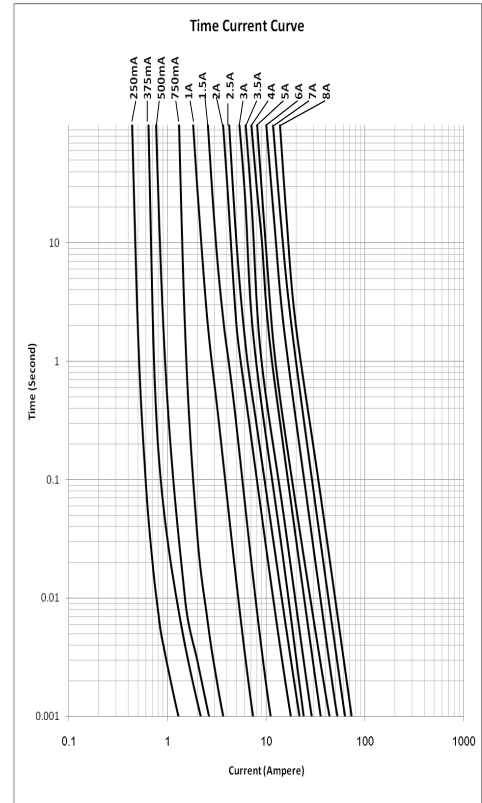
+10°C to +60°C  
Relative humidity: ≤75% yearly average  
Without dew, maximum 30 days at 95%

## Vibration Resistance

24 cycles at 15 min. each (60068-6)  
10-60Hz at 0.75mm amplitude  
60-2000Hz at 10g acceleration

## Soldering Parameters

260°C. ≤ 10 sec (Wave Soldering)  
300°C. ≤ 2 sec (Hand Soldering)  
**Soldering Peak:**  
260°C. 10 sec.  
280°C. 5 sec. (IEC 60068-20)



Time vs Current Characteristics: UL248-14

Rated Current	100%	200%
250mA~8A	>4H	<60s

**RoHS** **HF**

## Electrical Characteristics at 25°C

Amp Code	Rated Current	Rated Voltage	Typical Voltage Drop Max(mV)	Breaking Capacity	Typical Melting I <sup>2</sup> T (A <sup>2</sup> s)	Typical Cold Resistance (mΩ)	Alpha Mark	Approvals
								cURus
0250	250mA	32V DC	893	50A@32V DC	0.00042	3250	D	•
0375	375mA		587		0.00093	1800	E	•
0500	500mA		582		0.001	1070	F	•
0750	750mA		427		0.009	470	G	•
1100	1.00A		335		0.0095	250	B	•
1150	1.50A		270		0.04	150	H	•
1200	2.00A		160		0.11	78	K	•
1250	2.50A		145		0.135	49	L	•
1300	3.00A		130		0.21	35	O	•
1350	3.50A		130		0.45	28	R	•
1400	4.00A		120		0.56	18	S	•
1500	5.00A		110		1.20	14	T	•
1600	6.00A		110		1.70	11.0	V	•
1700	7.00A		80		2.30	9.5	X	•
1800	8.00A		75		3.0	7.0	Z	•

- Note:**
- DC Interrupting Rating (Measured at rated voltage, time constant of less than 50 microseconds, battery source)
  - DC Cold Resistance are measured at <10% of rated current in ambient temperature of 25degrees
  - Typical Pre-arcing I<sup>2</sup>t are measured at 10In Current
  - For 1A-5A, the color of glass coating is Green; for others, it's Blue.
- Specifications are subject to change without notice. Application testing is strongly recommended.

## Ordering Information

Series	Amp Code	Supplementary Code	Qty
065			