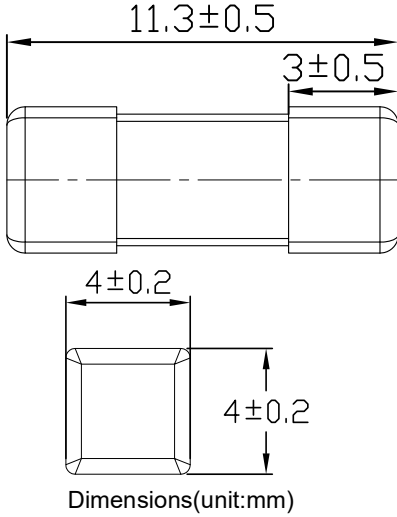


476 Brick Fuse



Main Characteristics

Brick fuse; Time-Lag(T)

Standard

UL248-14

Materials

Body: Ceramic
End Caps: Copper plated with silver

Operating Temperature

-55°C to +125°C

Stock Temperature

+10°C to +60°C
Relative humidity: ≤75% yearly average
Without dew, maximum 30 days at 95%

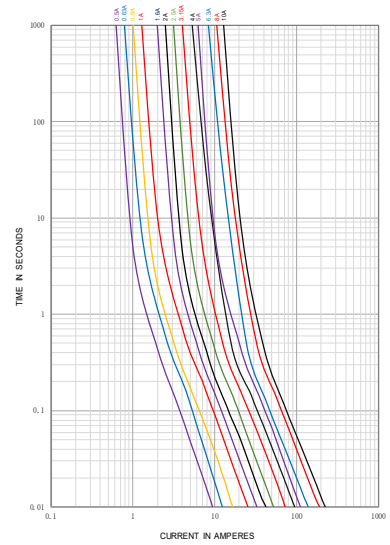
Vibration Resistance

24 cycles at 15 min. each (60068-6)
10-60Hz at 0.75mm amplitude
60-2000Hz at 10g acceleration

Soldering Parameters

260°C. ≤10 sec (Wave Soldering)
300°C. ≤2 sec (Hand Soldering)
Soldering Peak:
260°C. 10 sec.
280°C. 5 sec. (IEC 60068-20)

Average Time Current(I-T Curve)



Time vs Current Characteristics: UL248-14

Rated Current	100%	200%
500mA~10A	>4H	<60s



Electrical Characteristics at 25°C

Amp Code	Rated Current	Rated Voltage	Max. Voltage Drop (mV)	Breaking Capacity	Typical Melting I ² t(A ² sec)	Typical Cold Resistance (mΩ)	Approval
							cURus
0500	500mA	125V AC 250V AC 125V DC 250V DC 350V DC	220	150A@125V AC 150A@250V AC 150A@125V DC 150A@250V DC 100A@350V DC	0.90	277	•
0630	630mA		150		1.56	180	•
0750	750mA		150		1.69	140	•
0800	800mA		150		2.70	108	•
1100	1.00A		150		6.25	108	•
1125	1.25A		150		9.61	65.3	•
1160	1.60A		100		10.9	46.0	•
1200	2.00A		100		17.6	37.0	•
1250	2.50A		100		27.0	26.6	•
1315	3.15A		100		51.8	20.5	•
1400	4.00A	125V AC 250V AC 125V DC 250V DC	100	150A@125V AC 150A@250V AC 150A@125V DC 150A@250V DC	85.7	14.7	•
1500	5.00A		100		121	12.0	•
1630	6.30A	125V AC 250V AC	100	150A@125V AC 150A@250V AC	196	10.6	•
1800	8.00A		100		361	6.82	•
2100	10.00A		100		506	5.70	•

Note: (1) Permissible continuous operating current is ≤100% at ambient temperature of 23° C (73.4° F)

(2) The current values used for calculating I²T should be within the standard range of 8ms~10ms.

Ordering Information

Series	Amp Code	Supplementary Code	Qty
476			