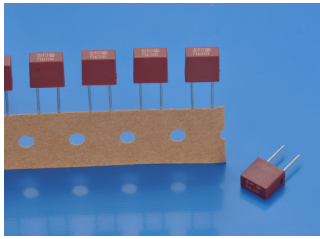


931 Box Subminiature Fuse



Main Characteristics

Box subminiature fuse; Fast-Acting (F)

Standard

IEC 60127

Materials

Fuse body: Thermoplastic

Lead: Tin plated copper

Operating Temperature

-55°C to +125°C

Storage Conditions

+10°C to +60°C

Relative humidity: ≤75% yearly average without dew, maximum 30 days at 95%

Vibration Resistance

24 cycles at 15 min. each (60068-6)

10-60Hz at 0.75mm amplitude

60-2000Hz at 10g acceleration

Soldering Parameters

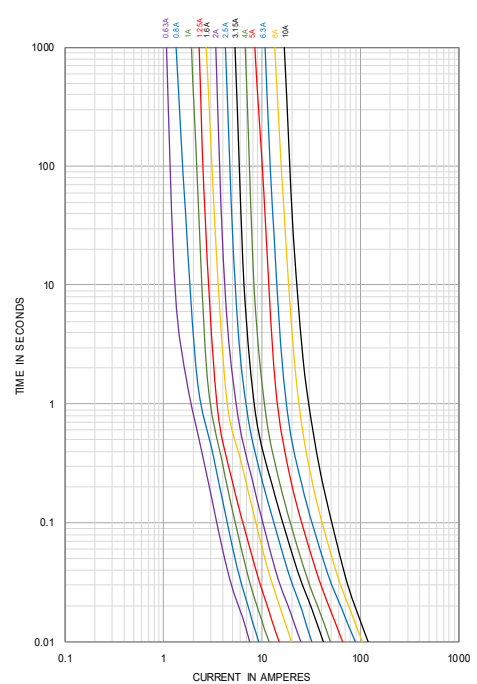
260°C. ≤5 sec (Wave Soldering)

350°C. ≤3 sec (Hand Soldering)

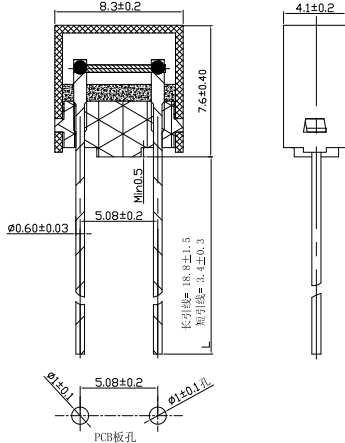
Soldering Peak:

260°C. 10 sec. (IEC 60068-20)

Average Time Current (I-T Curves)



Dimensions (unit:mm)



Conventional products are braided products, and refer to EPS specification for details.

Rated Current	150%	210%	275%	400%	1000%
100mA-5A	>1h	<30min	10ms~3s	3ms~300ms	≤20ms
>5A-10A	>1h	<30min	50ms-10s	5ms~400ms	≤20ms



Electrical Characteristics at 25°C

Amp Code	Rated Current	Rated Voltage	Typical Cold Resistance (mΩ)	Nominal Melting I ² T (A ² sec)	Breaking Capacity	Approvals				
						cURus 125V	cURus 250V	CCC	TUV	PSE
1100	1.00A	125V AC 250V AC	63.0	0.84	130A@125V AC 130A@250V AC	•	•	•	•	○
1125	1.25A		45.0	1.44		•	•	•	•	○
1160	1.60A		35.0	2.25		•	•	•	•	○
1200	2.00A		33.5	6.25		•	•	•	•	○
1250	2.50A		25.0	10.24		•	•	•	•	○
1315	3.15A		19.4	17.60		•	•	•	•	○
1400	4.00A		14.37	25.00		•	•	•	•	○
1500	5.00A		11.5	42.25		•	•	•	•	•
1630	6.30A		7.40	81.00		•	•	•	•	○
1800	8.00A		5.75	110		•	•	•	•	○
2100	10.00A		4.20	144		•	•	○	○	○

- Notes:** (1) Permissible continuous operating current is ≤100% at ambient temperature of 23°C (73.4°F)
 (2) The cURus certification by 125V and 250V; the others certification only by 250V.
 (3) The current values used for calculating I²T should be within the standard range of 8ms ~ 10ms.

Ordering Information

Series	Amp Code	Supplementary Code	Qty
931			



Sales Contact
 sls01@betterfuse.com

Technical Support
 Kenny@betterfuse.com

National High-tech Enterprise
 SC 32C National Technical
 Committee Member of China
 Intertek ISO 9001 Certified Company
 Intertek ISO 14001 Certified Company
 Intertek QC 080000 Certified Company
 NQA IATF 16949 Certified Company

国家高新技术企业
 SC 32C 国内专家组成员单位
 ISO 9001 认证企业
 ISO 14001 认证企业
 QC 080000 认证企业
 IATF 16949 认证体系