

FH10-B-MZ Holder

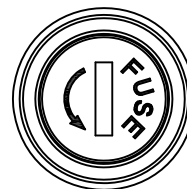
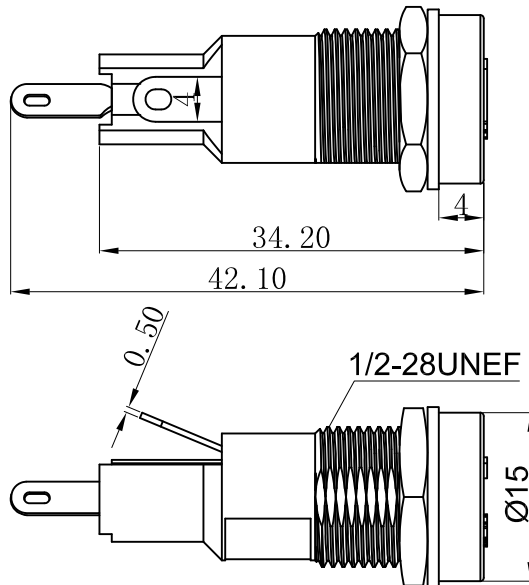


Features

The FH10-B-MZ fuse holder for overload protection.

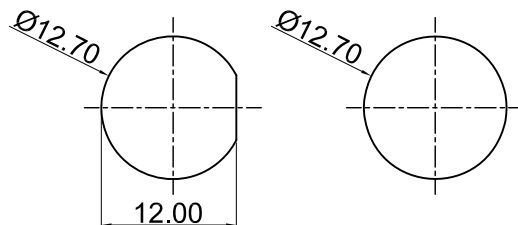
- **PC Mount:** 5x20mm Fuse
- **Electrical Data(23°C):**
Voltage: 250V AC
Max. Current: 10A
Operating Temperature: -20°C ~ +85°C
- **Cap:** Bayonet type
- **Screw-in mounting**
- **Panel Thickness:** 4.5mm max
- **Dielectric Strength:** 1500VAC 1 minute
- **Insulation Resistance:** DC 500V 100MΩ min
- **Welding method:** Manual Soldering(350°C ± 5°C, 3±0.5s)
- **Material:** Housing: PBT,UL rated 94V0
Bayonet: PBT,UL rated 94V0
Terminal: Brass,silver plated
Nut: Zn Alloy,Ni plated

Dimensions (unit in mm)



Tolerances: .x±0.3, .xx±0.15

Cut-out (unit in mm):



Tolerances: .x±0.3, .xx±0.15

Ordering Information

Series	Amp code	Supplementary Code	Qty
FH10-B-MZ			