

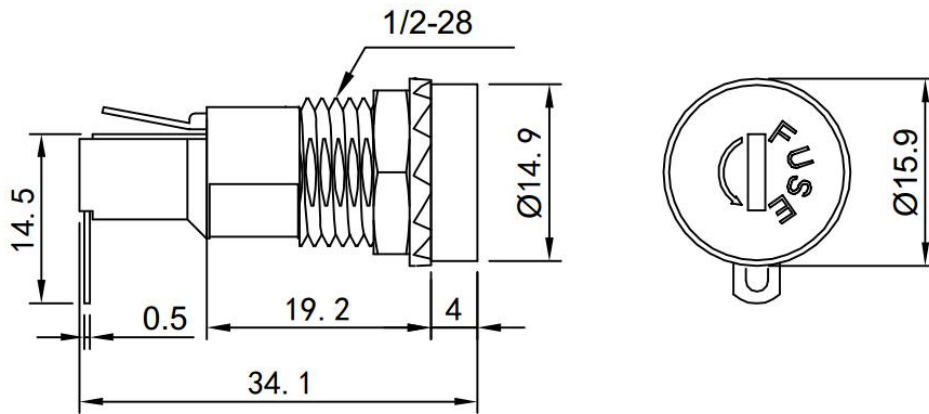


## Features

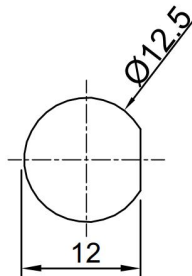
The FH1-B-PW fuse holder for overload protection.

- **PC Mount:** 5x20mm Fuse
- **Electrical Data(23°C):**  
 Voltage: 250V AC  
 Max. Current: 10A  
 Operating Temperature: -0°C ~ +85°C
- **Cap:** Bayonet type
- **Screw-in mounting**
- **Panel Thickness:** 4.5mm max
- **Material:** Housing: PBT,UL rated 94V2 min  
 Bayonet: PBT,UL rated 94V2 min  
 Terminal: Brass,silver or tin plated  
 Nut: PBT,UL rated 94V2 min

Dimensions (unit in mm)



Cut-out (unit in mm):



Tolerances: .x±0.3, .xx±0.15

## Ordering Information

Series	Amp code	Supplementary Code	Qty
FH1-B-PW			