

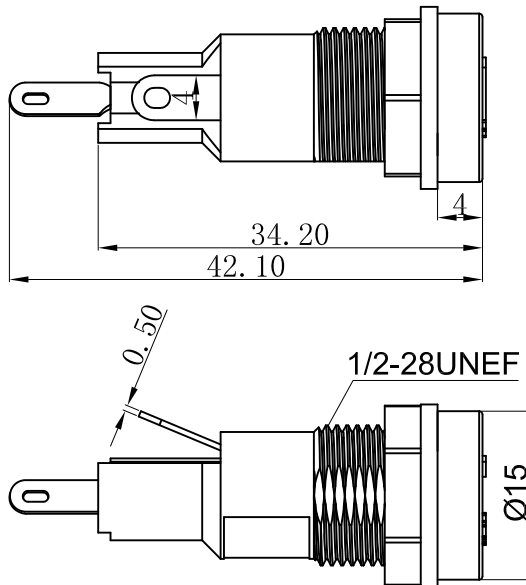


Features

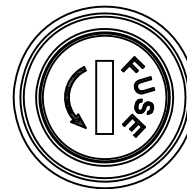
The FH10-B-PZ fuse holder for overload protection.

- **PC Mount:** 5x20mm Fuse
- **Electrical Data(23°C):**
 Voltage: 250V AC
 Max. Current: 10A
 Operating Temperature: -20°C ~ +85°C
- **Cap:** Bayonet type
- **Screw-in mounting**
- **Panel Thickness:** 4.5mm max
- **Dielectric Strength:** 1500VAC 1 minute
- **Insulation Resistance:** DC 500V 100MΩ min
- **Welding method:** Manual Soldering(350°C ± 5°C, 3±0.5s)
- **Material:** Housing: PBT,UL rated 94V0
 Bayonet: PBT,UL rated 94V0
 Terminal: Brass,silver plated
 Nut: PBT,UL rated 94V0

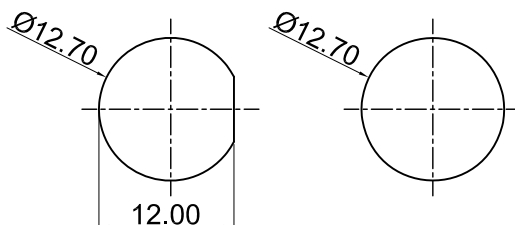
Dimensions (unit in mm)



Tolerances: .x±0.3, .xx±0.15



Cut-out (unit in mm):



Tolerances: .x±0.3, .xx±0.15

Ordering Information

| Series | Amp code | Supplementary Code | Qty |
|-----------|----------|--------------------|-----|
| FH10-B-PZ | | | |

